

Part Number: HD-ST-6-FAIR

Description: Touring Fairing

Fitment: 1984-2006 Harley-Davidson Softail (FL Models)

Revision: 1



Tools Required	Parts List
<p>3/16 Allen Key 5mm Allen Key</p>	<p>1 #A00759 Left mounting bracket 1 #A00758 Right mounting bracket 4 8m x 1.25 x 40 chrome button head Allen bolts 2 Chrome Caps 8 8m flat washers</p> <p>PRE-INSTALLED ON FAIRING</p> <p>3 10/24 chrome acorn nuts 3 10/24 flat washers 3 10/24 x 1" bolts 1 windshield 1 ABS cover</p> <p>1984-1999 WITH DOSS NACELLE FRONT END</p> <p>2 5/16" x 24 x 2" chrome button head Allen bolts 2 5/16" x 24 x 1½" chrome button head Allen bolts 2 #P10281 13/16" spacers 2 #P10071 ¼" spacers 4 5/16" flat washers 4 5/16" lock washers</p> <p>1984 & UP WITH H-D STOCK FRONT END</p> <p>2 5/16" x 24 x 2" chrome button head Allen bolts 2 5/16" x 24 x 1¾" chrome button head Allen bolts 2 5/16" x 24 x 1½" chrome button head Allen bolts 2 #P10286 1" spacers 2 #P10282 5/8" spacers 2 #P10285 ¾" spacers 4 #P10187 3/16" spacers 4 5/16" flat washers 4 5/16" lock washers</p> <p>2000 & UP WITH H-D NACELLE FRONT END</p> <p>2 5/16" x 24 x 2" chrome button head Allen bolts 2 5/16" x 24 x 1¾" chrome button head Allen bolts 2 5/16" x 24 x 1½" chrome button head Allen bolts 2 #P10283 7/8" spacers 2 #P10284 11/16" spacers 2 #P10285 ¾" spacers 4 #P10187 3/16" spacers 4 5/16" flat washers 4 5/16" lock washers</p>
<p>NOTE: We recommend the use of Loctite® or other threadlock material when assembling parts on your motorcycle.</p> <p>1. Assure that you have all of the parts necessary for installation. The two Corbin fairing mount brackets are <u>NOT</u> the same but are a near mirror image of each other.</p> <p>2. Fairing installation is simple and requires only that our brackets be installed onto your front end with two included bolts, lock washers, flat washers and spacers per side.</p> <p>NOTE: Three spacers are needed if using the Auxiliary Lamp Kit.</p> <p>3. To install, remove the stock bolts from the front end. Do this one side at a time just to keep things easy.</p> <p>4. Look at figures 1 through 5 to determine which diagram applies to your bike for installation of the Corbin bracket.</p> <p>5. Secure the Corbin bracket with the spacers between the Corbin bracket and your bike. Use one of the included chrome button head screws, lock washer and a flat washer at the top and a chrome button head screw, lock washer and flat washer at the bottom. Look at the diagram suited for your bike to determine what size bolts and spacers that are needed.</p> <p>Use Loctite® on these bolts and tighten to 12 ft. lbs.</p> <p>6. Repeat this procedure on the other side.</p> <p>7. You are now ready to place the fairing and attach it to the brackets. You can most likely position the fairing and have it sit by itself while you bolt it on, but we think it's a good idea to have a friend help. Just to guard from scratching the new paint.</p> <p>8. Secure the fairing to the bracket with the 8m x 1.25 x 40 chrome button head bolt and flat washer at each of the four locations. (See Figure 6)</p> <p>Use Loctite® on these bolts and tighten to 10 ft. lbs.</p>	

1984 - 1999 with Doss Nacelle Front End

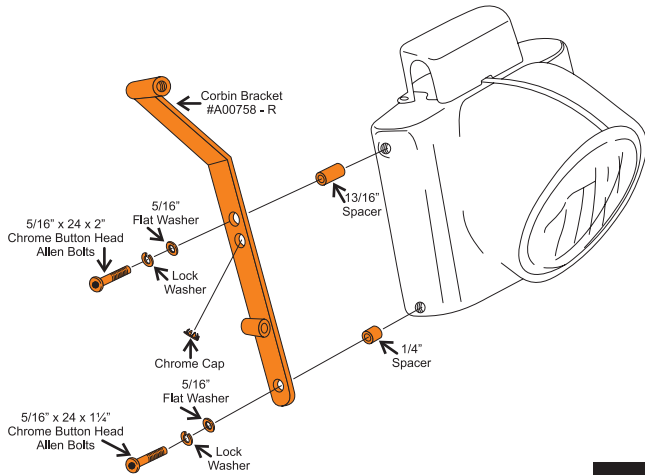


FIG 1

2000 & Up with H-D Nacelle Front End and Auxiliary Lamp Kit #69287-05

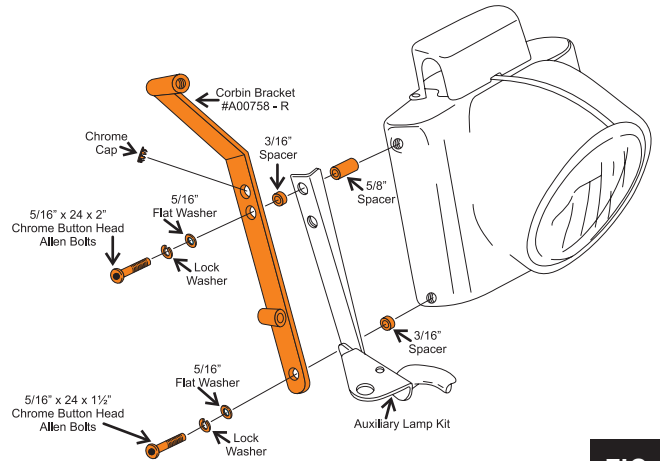


FIG 4

1984 & Up with H-D Stock Front End

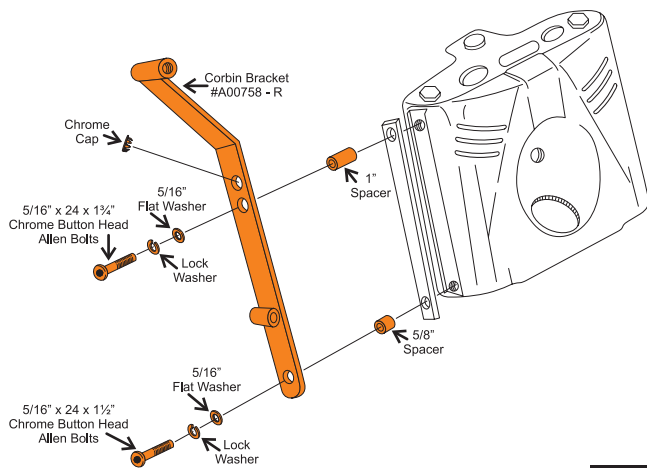


FIG 2

2006 & Up with H-D Nacelle Front End

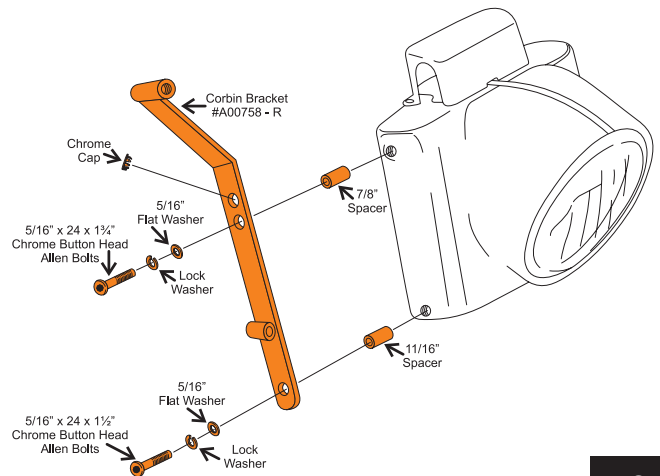


FIG 5

1984 & Up with H-D Stock Front End and Auxiliary Lamp Kit #69287-05

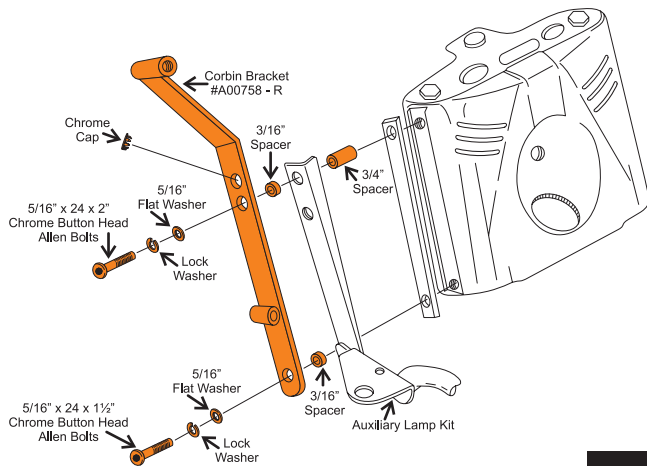


FIG 3



FIG 6

Questions? Give us a holler...
800-223-4332
 tech@corbin.com